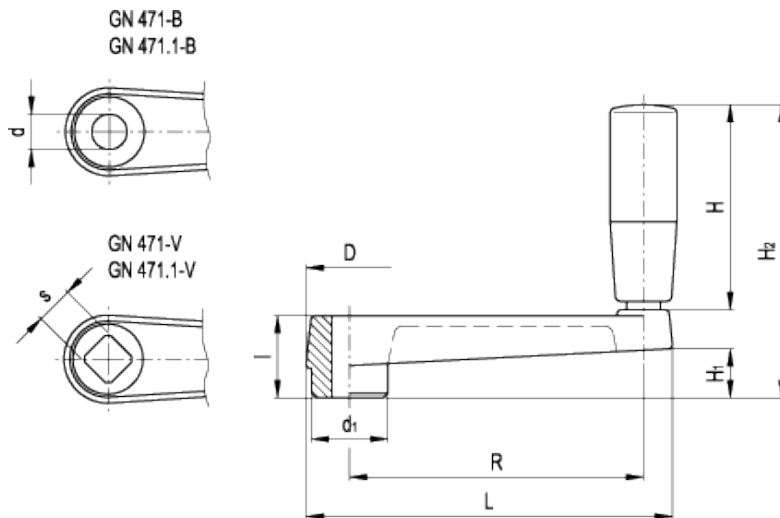


GN 471 GN 471.1

Crank handles
with revolving handle



technical informations

Material

GN 471: Aluminium, epoxy resin coating.
GN 471.1: Zinc alloy, epoxy resin coating.

Colour

RAL 9005 black, matte, textured finish.

Assembly

- Version B: hub with H7 reamed through hole.
- Version V: hub with H11 square through hole, in compliance with details for square [DIN 79](#).
For fixing GN 471 and GN 471.1 on shafts by a grub screw see [Technical Data](#).

Revolving handle

High-resilience polypropylene based (PP) technopolymer, black colour, matte finish. Resistant to solvents, oils, greases and other chemical agents.

Standard Elements	Main dimensions						Mounting hole			Handle		Weight
Description	R	L	D	d ₁	H _{1~}	H ₂	d _{H7}	s _{H11}	l	H	Ø	g
GN 471.1-64-B10	64	82	22	19	11	65.5	10	-	20	42.5	18	100
GN 471.1-64-V10	64	82	22	19	11	65.5	-	10x10	20	42.5	18	97
GN 471-80-B10	80	102	26	23	14	80.5	10	-	24	52.5	21	101
GN 471.1-50-B8	50	65	18	16	10	48.5	8	-	18	28.5	14	60
GN 471-80-V10	80	102	26	23	14	80.5	-	10x10	24	52.5	21	98
GN 471.1-50-V8	50	65	18	16	10	48.5	-	8x8	18	28.5	14	58
GN 471-100-B12	100	125	30	27	17	99.5	12	-	28	67.5	23	170
GN 471-100-V12	100	125	30	27	17	99.5	-	12x12	28	67.5	23	167
GN 471-125-B14	125	154	35	32	22	122.5	14	-	34	82.5	26	255
GN 471.1-80-B10	80	101	26	23	14	80.5	10	-	24	52.5	21	101
GN 471-125-V14	125	154	35	32	22	122.5	-	14x14	34	82.5	26	251
GN 471.1-80-V10	80	101	26	23	14	80.5	-	10x10	24	52.5	21	98
GN 471-160-B17	160	191	39	35	26	126.5	17	-	38	82.5	26	319
GN 471.1-100-B12	100	124	30	27	17	99.5	12	-	28	67.5	23	170
GN 471-160-V17	160	191	39	35	26	126.5	-	17x17	38	82.5	26	313
GN 471.1-100-V12	100	124	30	27	17	99.5	-	12x12	28	67.5	23	167

This product had the following design awards:



ELESA and GANTER models all rights reserved in accordance with the law. Always mention the source when reproducing our drawings.

STANDARD MACHINE ELEMENTS WORLDWIDE